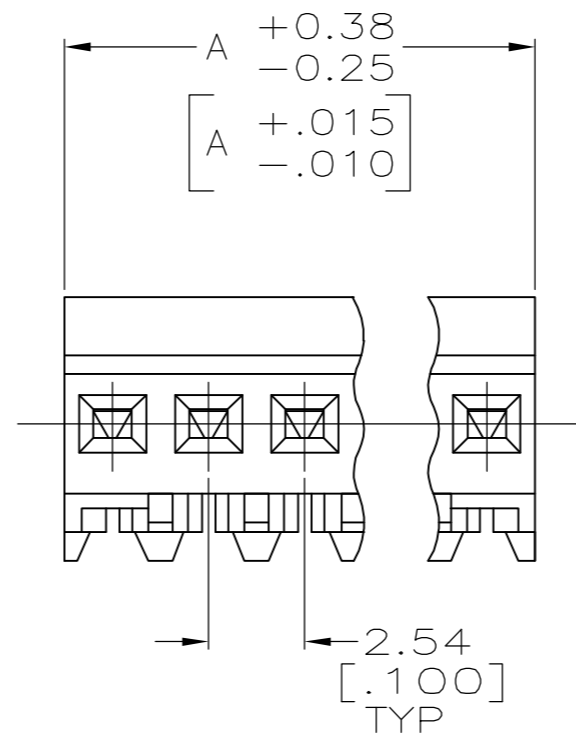
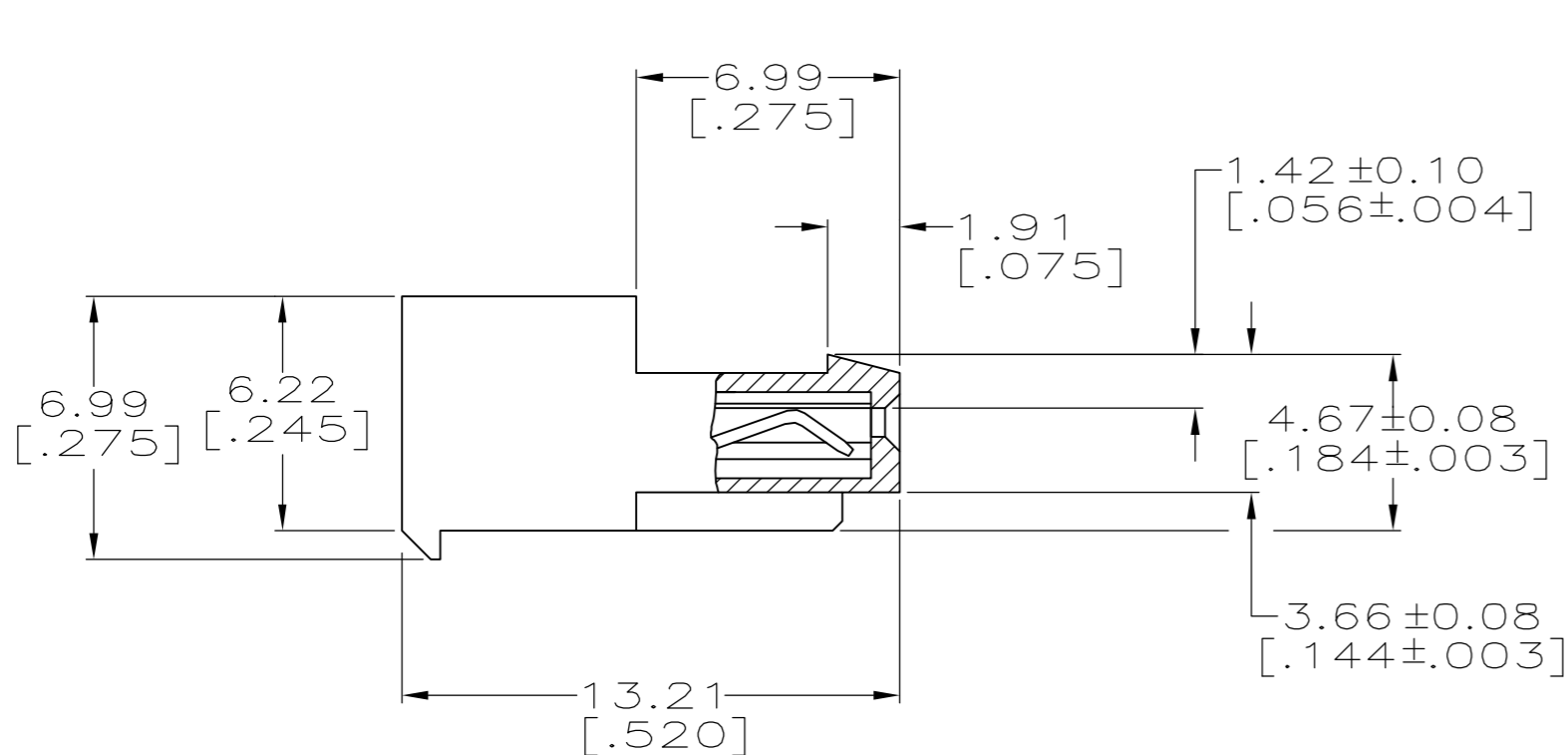
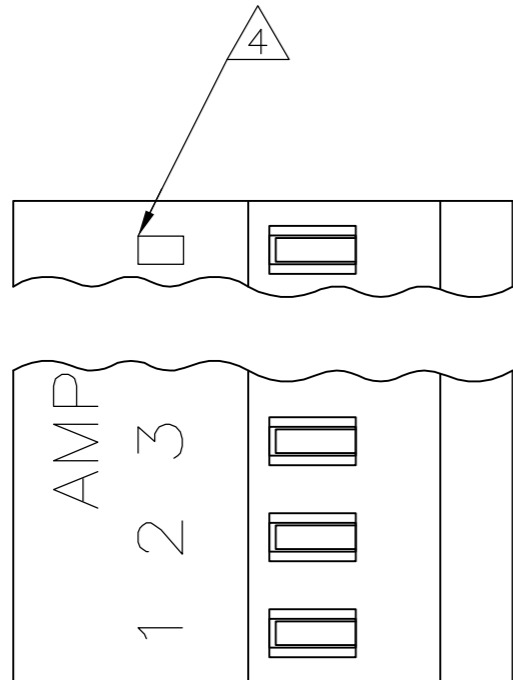


THIS DRAWING IS UNPUBLISHED. RELEASED FOR PUBLICATION
 © COPYRIGHT BY TYCO ELECTRONICS CORPORATION. ALL RIGHTS RESERVED.

LOC		DIST		REVISIONS			
P	LTR	DESCRIPTION	DATE	DWN	APVD		
CM	00	D	REVISED PER ECO-07-003729	26FEB07	KW	DB	



1 MATERIAL: CONNECTOR - NYLON UL94V-2 (BLACK).
 CONTACTS - 0.30 [.012] THICK COPPER ALLOY
 .000076 [.000030] GOLD IN CONTACT AREA WITH
 BRIGHT TIN-LEAD SLOT AREA FOR 644314-2 THRU 644314-6
 OR MATTE WHISKER MITIGATED TIN FOR 3-644314-2 THRU
 3-644314-6 OVER NICKEL UNDERPLATE.

2. CONTACTS ACCEPT 22 AWG WIRE WITH 1.52 [.060] MAX INSULATION DIAMETER.

3. CONTACTS MUST ACCEPT 0.64 ± 0.03 [.025] POST AND REMAIN LOCKED IN POSITION.

4 IDENTIFICATION NUMBER FOR LAST CIRCUIT MAY NOT APPEAR ON ALL ASSEMBLIES.

5. DIMENSIONS IN BRACKETS ARE IN INCHES.

6. HOUSING FEATURES ARE: CLOSED END WITH LOCKING RAMP.

DIM A	NO OF CIRCUITS	PART NO
15.24 [.600]	6	3-644314-6
12.70 [.500]	5	3-644314-5
10.16 [.400]	4	3-644314-4
7.62 [.300]	3	3-644314-3
5.08 [.200]	2	3-644314-2
15.24 [.600]	6	644314-6
12.70 [.500]	5	644314-5
10.16 [.400]	4	644314-4
7.62 [.300]	3	644314-3
5.08 [.200]	2	644314-2

METRIC

THIS DRAWING IS A CONTROLLED DOCUMENT.		DWN K. WHITAKER 21JULY2005	Tyco Electronics Corporation Harrisburg, Pa 17105-3608	
DIMENSIONS: mm [INCHES]	TOLERANCES UNLESS OTHERWISE SPECIFIED:	CHK D. BOSSI 21JULY2005	NAME D. BOSSI 21JULY2005	
	0 PLC ± -	APVD D. BOSSI 21JULY2005	PRODUCT SPEC 108-1050	
	1 PLC ± -	APPLICATION SPEC 114-1019	SIZE A2	CAGE CODE 00779
MATERIAL 1	FINISH 1	WEIGHT -	DRAWING NO C=644314	RESTRICTED TO -
CUSTOMER DRAWING			SCALE 5:1	SHEET 1 OF 1